

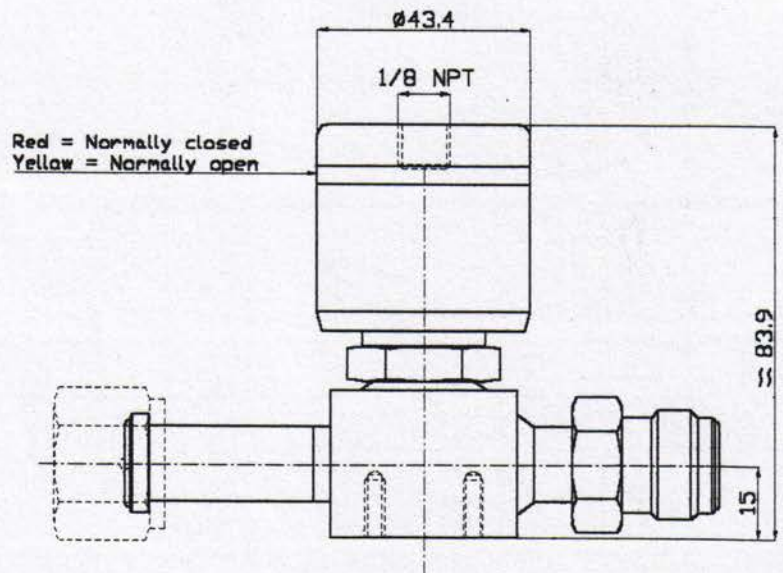
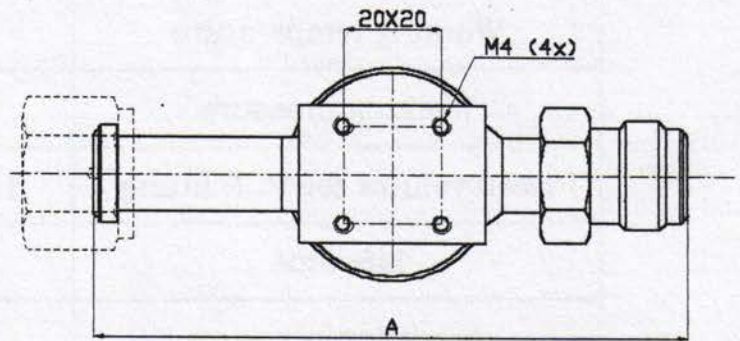
# FLOWLINK S.A.



ZA LES BARONNES, B.P. 80017  
 F-34731 PRADES-LE-LEZ cedex  
 Phone : (33) (0)4 67 59 65 10  
 Fax : (33) (0)4 67 59 65 11  
 e-mail : flowlinksa@yahoo.fr  
 flowlink@flowlinksa.com  
 Internet : <http://www.flowlinksa.com>  
 VAT : FR83347835654

## VP 212 ...

Options available	
Roughness average 0.2µm	X
Medium temperature range (LHT)	X
High temperature range (HT)	
Inlet / outlet purges	X
Special alloys	X
Nuts for compatible Swagelock® fittings	X
Indicator position switch (IPS) with or without plug (80°C max)	X
Pneumatic fitting	X
Private labelling	X
Mounting plate	X
Locking device open or closed	
Front panel compatibility	



Kind of fittings*	Length A (mm)
VCR® compatible	121
Swagelock® compatible (SW)	104.6
Stub/tube	144.6

\* All fittings combination inlet outlet.  
 For components description including fittings configurations see « Codification and configuration sketches of a gas flow component ».

SO-212-01/A

**COMPOSANTS POUR LA DISTRIBUTION DE GAZ PURS, ULTRA-PURS ET CORROSIFS**  
**COMPONENTS FOR HIGH PURITY AND CORROSIVE GAS APPLICATIONS**