

FLOWLINK S.A.

NF EN ISO 9002



Système Qualité Certifié
N° de Certificat :
00 - FRQ - 10006

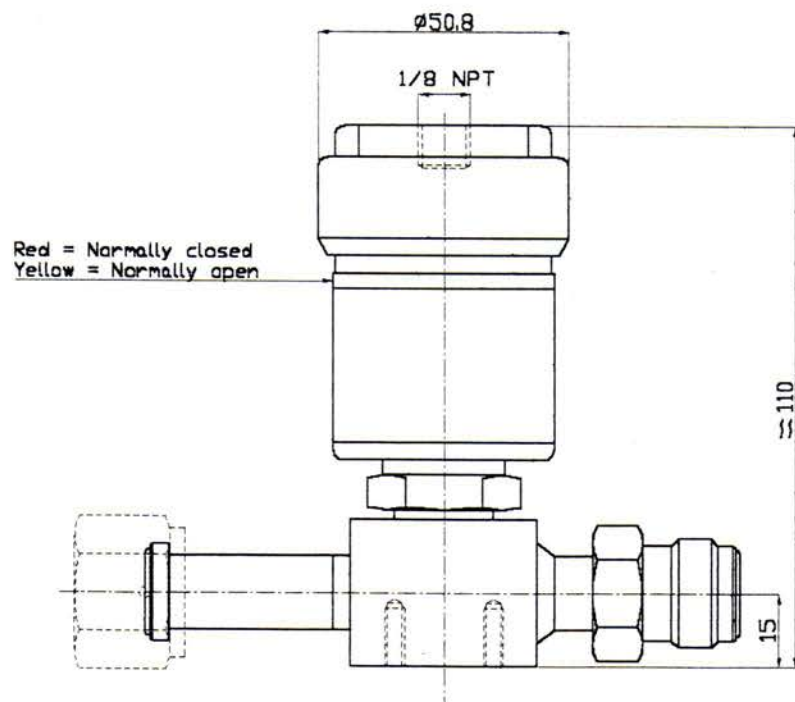
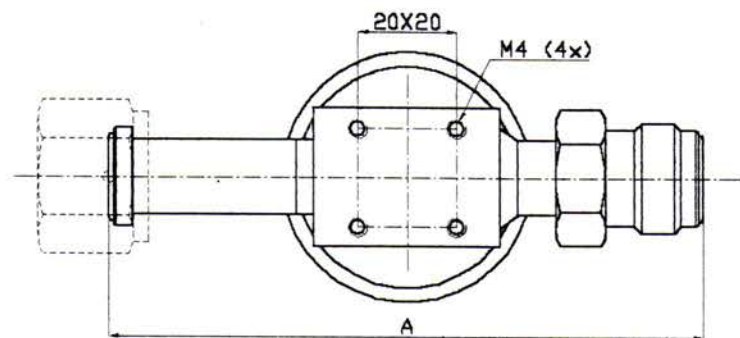
ZALES BARONNES, B.P. 80017
F-34731 PRADES-LE-LEZ cedex
Phone : (33) (0)4 67 59 65 10
Fax : (33) (0)4 67 59 65 11
e-mail : flowlinksa@yahoo.fr
flowlink@flowlinksa.com
Internet : <http://www.flowlinksa.com>
VAT : FR83347835654

VP THT 212 ...

| Options available | |
|---|---|
| Roughness average 0.2µm | X |
| Medium temperature range (LHT) | |
| High temperature range (HT) | |
| Inlet / outlet purges | X |
| Special alloys | X |
| Nuts for compatible Swagelock® fittings | X |
| Indicator position switch (IPS) with or without plug (80°C max) | |
| Pneumatic fitting | X |
| Private labelling | |
| Mounting plate | X |
| Locking device open or closed | |
| Front panel compatibility | |

| Kind of fittings* | Length A (mm) |
|----------------------------|---------------|
| VCR® compatible | 121 |
| Swagelock® compatible (SW) | 104.6 |
| Stub/tube | 144.6 |

* All fittings combination inlet outlet.
For components description including fittings configurations see « Codification and configuration sketches of a gas flow component ».



SO-212-03/A

COMPOSANTS POUR LA DISTRIBUTION DE GAZ PURS, ULTRA-PURS ET CORROSIFS
COMPONENTS FOR HIGH PURITY AND CORROSIVE GAS APPLICATIONS