



FLOWLINK S.A.



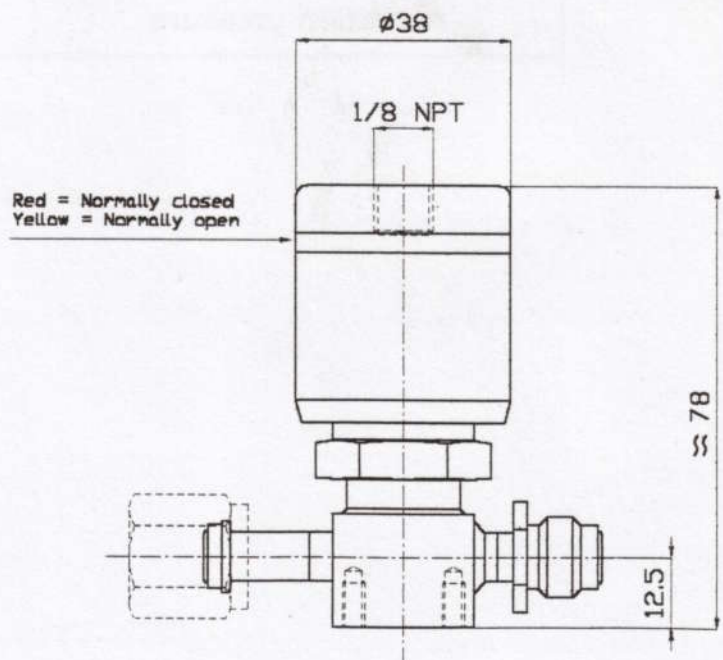
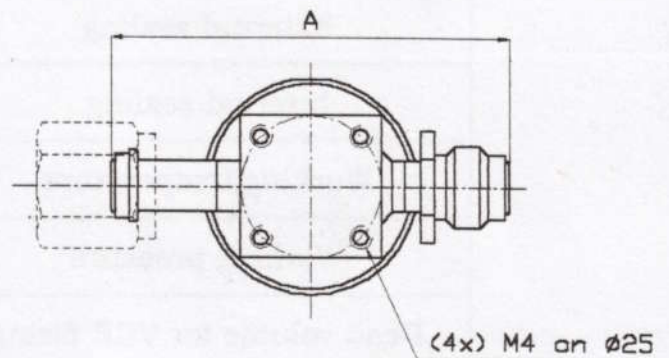
ZA LES BARONNES, B.P. 80017
 F-34731 PRADES-LE-LEZ cedex
 Phone : (33) (0)4 67 59 65 10
 Fax : (33) (0)4 67 59 65 11
 e-mail : flowlinksa@yahoo.fr
 flowlink@flowlinksa.com
 Internet : http://www.flowlinksa.com
 VAT : FR83347835654

VP 214 ...

Options available	
Roughness average 0.2µm	X
Medium temperature range (LHT)	X
High temperature range (HT)	X
Inlet / outlet purges	
Special alloys	X
Nuts for compatible Swagelock® fittings	X
Indicator position switch (IPS) with or without plug (80°C max)	X
Pneumatic fitting	X
Private labelling	X
Mounting plate	X
Locking device open or closed	
Front panel compatibility	

Kind of fittings*	Length A (mm)
VCR® compatible	70.6
Swagelock® compatible (SW)	70.6
Swagelock® compatible (SW) built-in	50
High purity fittings 2'' (RHP®)	50.8
High purity fittings (RHP®)	59.7
Stub/tube	133

* All fittings combination inlet outlet.
 For components description including fittings configurations see « Codification and configuration sketches of a gas flow component ».



SO-214-01/A

COMPOSANTS POUR LA DISTRIBUTION DE GAZ PURS, ULTRA-PURS ET CORROSIFS
COMPONENTS FOR HIGH PURITY AND CORROSIVE GAS APPLICATIONS