

FLOWLINK S.A.



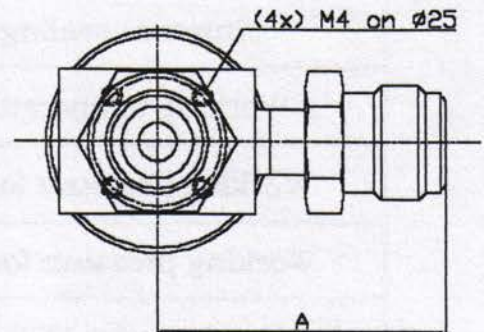
ZA LES BARONNES, B.P. 80017
 F-34731 PRADES-LE-LEZ cedex
 Phone : (33) (0)4 67 59 65 10
 Fax : (33) (0)4 67 59 65 11
 e-mail : flowlinksa@yahoo.fr
 flowlink@flowlinksa.com

EL 238 C6 ...

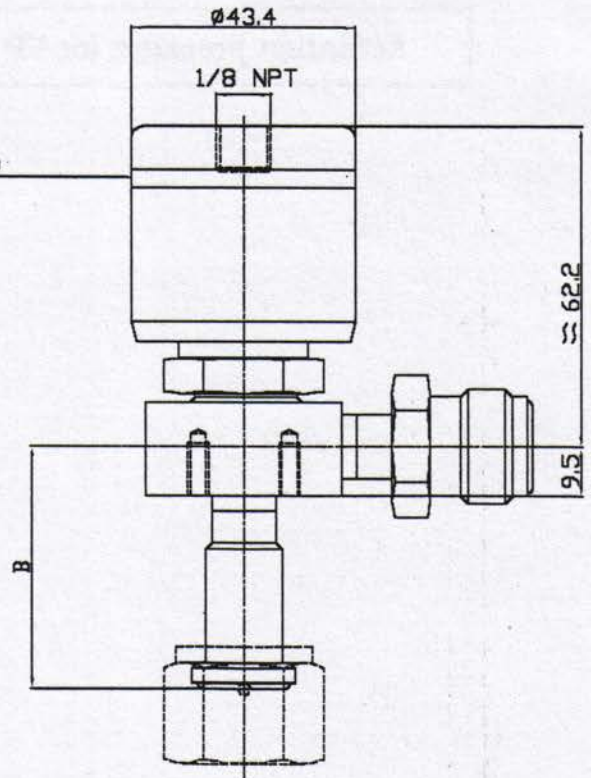
Internet : <http://www.flowlinksa.com>

VAT : FR83347835654
 Options available

Roughness average	X
Medium temperature range (LHT)	X
High temperature range (HT)	X
Inlet / outlet purges	
Special alloys	X
Nuts for compatible Swagelock® fittings	X
Indicator position switch (IPS) with or without plug (80°C max)	X
Pneumatic fitting	X
Private labelling	X
Mounting plate	
Locking device open or closed	
Front panel compatibility	



Red = Normally closed
 Yellow = Normally open



Kind of fittings*	Length A (mm)	Length B (mm)
VCR® compatible	56.35	47
Swagelock® compatible (SW)	51.85	42.45
Stub/tube	72.5	62.25

* All fittings combination inlet outlet.
 For components description including fittings configurations see
 « Codification and configuration sketches of a gas flow component ».

SO-238-03/A

COMPOSANTS POUR LA DISTRIBUTION DE GAZ PURS, ULTRA-PURS ET CORROSIFS
COMPONENTS FOR HIGH PURITY AND CORROSIVE GAS APPLICATIONS