

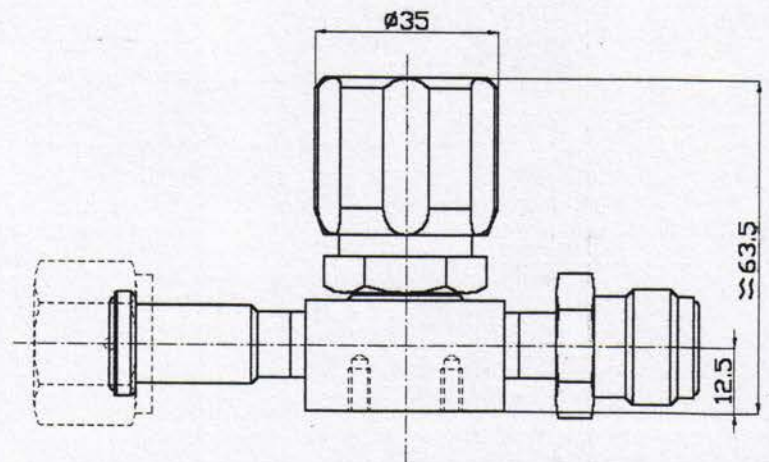
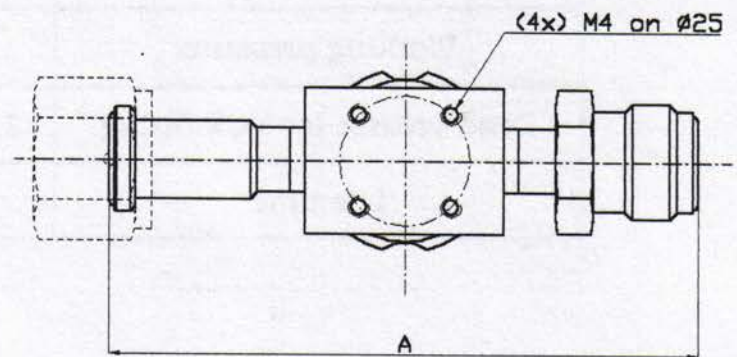
FLOWLINK S.A.



ZA LES BARONNES, B.P. 80017
 F-34731 PRADES-LE-LEZ cedex
 Phone : (33) (0)4 67 59 65 10
 Fax : (33) (0)4 67 59 65 11
 e-mail : flowlinksa@yahoo.fr
 flowlink@flowlinksa.com
 Internet : <http://www.flowlinksa.com>
 VAT : FR83347835654

VM 238 ...

Options available	
Roughness average 0.2µm	X
Medium temperature range (LHT)	X
High temperature range (HT)	
Inlet / outlet purges	
Special alloys	X
Nuts for compatible Swagelock® fittings	X
Indicator position switch (IPS) with or without plug (80°C max)	
Pneumatic fitting	
Private labelling	X
Mounting plate	X
Locking device open or closed	
Front panel compatibility	



Kind of fittings*	Length A (mm)
VCR® compatible	112.7
Swagelock® compatible (SW) built-in	63
Stub/tube	145

* All fittings combination inlet outlet.
 For components description including fittings configurations see « Codification and configuration sketches of a gas flow component ».

SO-238-02/A

COMPOSANTS POUR LA DISTRIBUTION DE GAZ PURS, ULTRA-PURS ET CORROSIFS
COMPONENTS FOR HIGH PURITY AND CORROSIVE GAS APPLICATIONS