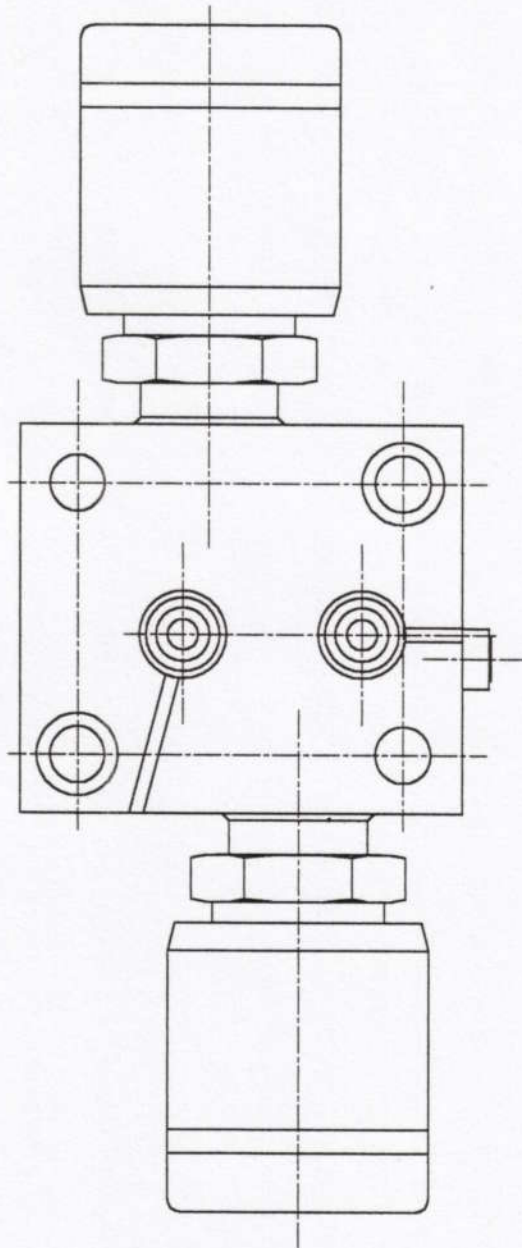


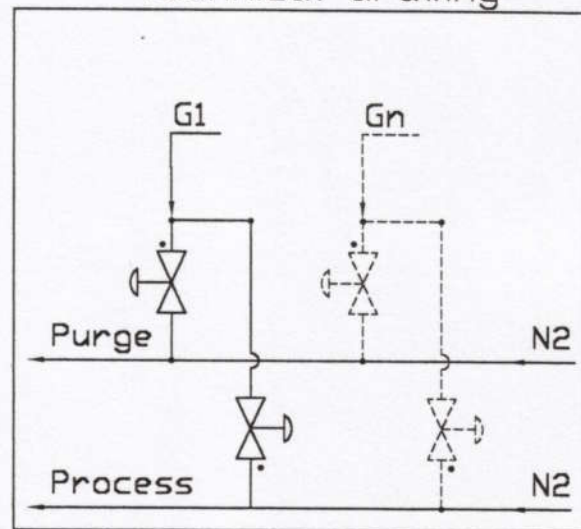
FLOWLINK S.A.



PURGE / INJECTION MANIFOLD



Technical drawing



• = Way under stem tip

MANI-03/A

COMPOSANTS POUR LA DISTRIBUTION DE GAZ PURS, ULTRA-PURS ET CORROSIFS
COMPONENTS FOR HIGH PURITY AND CORROSIVE GAS APPLICATIONS