

FLOWLINK S.A.

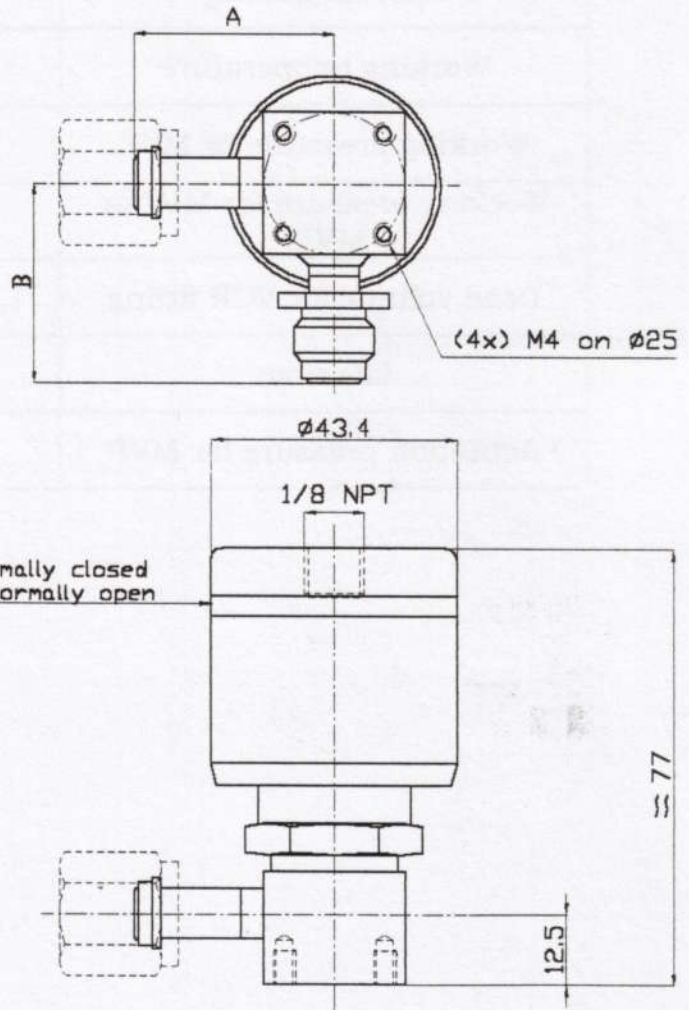


ZA LES BARONNES, B.P. 80017
 F-34731 PRADES-LE-LEZ cedex
 Phone : (33) (0)4 67 59 65 10
 Fax : (33) (0)4 67 59 65 11
 e-mail : flowlinksa@yahoo.fr
 flowlink@flowlinksa.com
 Internet : <http://www.flowlinksa.com>

M _ _ EL 214 ...

VAT : FR83347835654
 Options available

Roughness average	X
Medium temperature range (LHT)	X
High temperature range (HT)	X
Inlet / outlet purges	
Special alloys	X
Nuts for compatible Swagelock® fittings	X
Indicator position switch (IPS) with or without plug (80°C max)	X
Pneumatic fitting	X
Private labelling	X
Mounting plate	X
Locking device open or closed	X
Front panel compatibility	X



Kind of fittings*	Length A (mm)	Length B (mm)
VCR® compatible	35.3	35.3
Swagelock® compatible (SW)	35.3	35.3
High purity fittings 2'' (RHP®)	25.4	25.4
High purity fittings (RHP®)	29.8	29.85
Stub/tube	66.5	66.5

* All fittings combination inlet outlet.
 For components description including fittings configurations see « Codification and configuration sketches of a gas flow component ».

ME-214-05/A

COMPOSANTS POUR LA DISTRIBUTION DE GAZ PURS, ULTRA-PURS ET CORROSIFS
COMPONENTS FOR HIGH PURITY AND CORROSIVE GAS APPLICATIONS