

# FLOWLINK S.A.



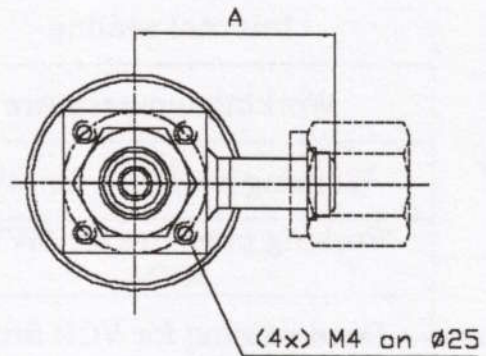
ZA LES BARONNES, B.P. 80017  
 F-34731 PRADES-LE-LEZ cedex  
 Phone : (33) (0)4 67 59 65 10  
 Fax : (33) (0)4 67 59 65 11  
 e-mail : flowlinksa@yahoo.fr  
 flowlink@flowlinksa.com

Internet : <http://www.flowlinksa.com>

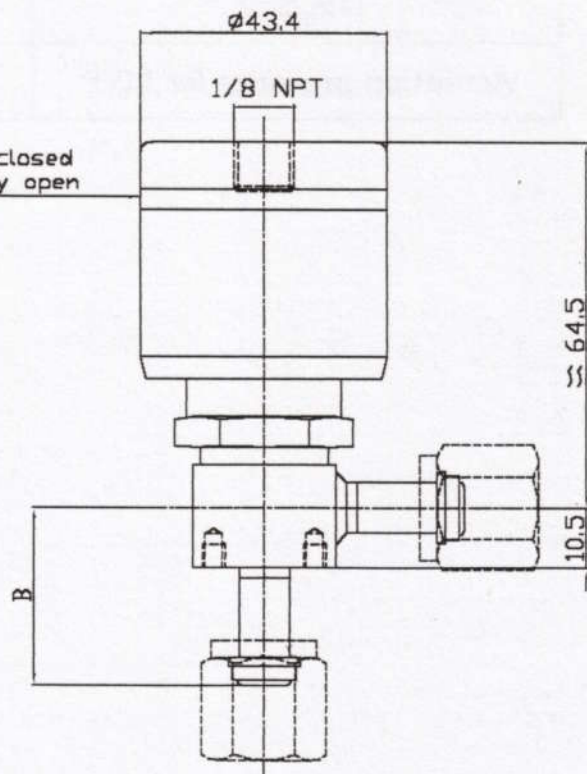
VAT : FR83347835654  
 Options available

Roughness average	X
Medium temperature range (LHT)	X
High temperature range (HT)	X
Inlet / outlet purges	
Special alloys	X
Nuts for compatible Swagelock® fittings	X
Indicator position switch (IPS) with or without plug (80°C max)	X
Pneumatic fitting	X
Private labelling	X
Mounting plate	
Locking device open or closed	
Front panel compatibility	

## M\_\_EL 214 C6 ...



Red = Normally closed  
 Yellow = Normally open



Kind of fittings*	Length A (mm)	Length B (mm)
VCR® compatible	35.3	31.4
Swagelock® compatible (SW)	35.3	31.4
High purity fittings 2'' (RHP®)	25.4	21.2
High purity fittings (RHP®)	29.85	25.65
Stub/tube	66.5	62.3

\* All fittings combination inlet outlet.  
 For components description including fittings configurations see « Codification and configuration sketches of a gas flow component ».

ME-214-06/A

**COMPOSANTS POUR LA DISTRIBUTION DE GAZ PURS, ULTRA-PURS ET CORROSIFS**  
**COMPONENTS FOR HIGH PURITY AND CORROSIVE GAS APPLICATIONS**