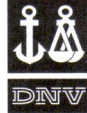


# FLOWLINK S.A.

NF EN ISO 9002

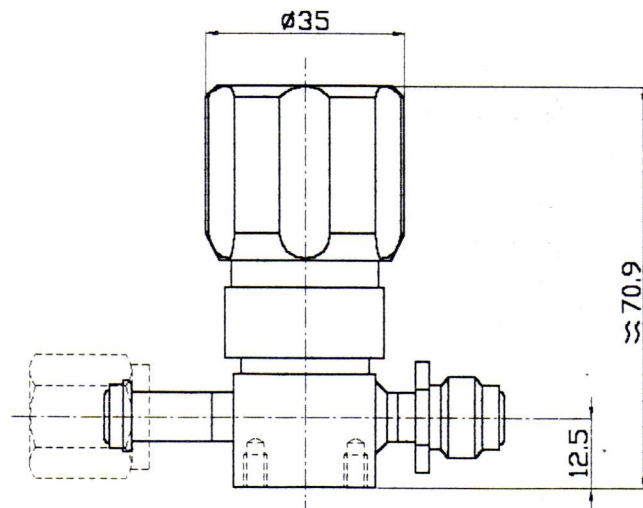
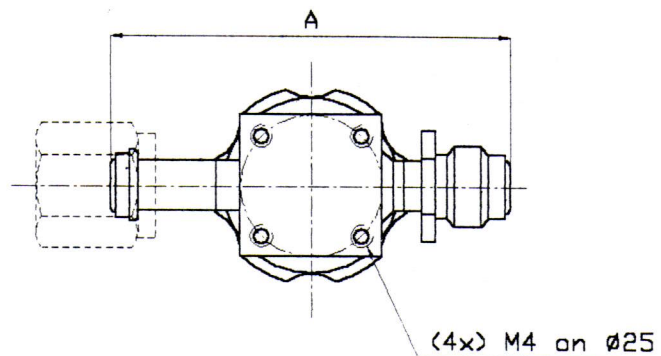


Système Qualité Certifié  
N° de Certificat :  
00 - FRQ - 10006

ZA LES BARONNES, B.P. 80017  
F-34731 PRADES-LE-LEZ cedex  
Phone : (33) (0)4 67 59 65 10  
Fax : (33) (0)4 67 59 65 11  
e-mail : flowlinksa@yahoo.fr  
flowlink@flowlinksa.com  
Internet : <http://www.flowlinksa.com>  
VAT : FR83347835654

## MVM 214 ...

Options available	
Roughness average 0.2µm	X
Medium temperature range (LHT)	X
High temperature range (HT)	
Inlet / outlet purges	
Special alloys	X
Nuts for compatible Swagelock® fittings	X
Indicator position switch (IPS) with or without plug (80°C max)	
Pneumatic fitting	
Private labelling	X
Mounting plate	X
Locking device open or closed	
Front panel compatibility	



Kind of fittings*	Length A (mm)
VCR® compatible	70.6
Swagelock® compatible (SW)	50
High purity fittings 2'' (RHP®)	50.8
High purity fittings (RHP®)	59.7
Stub/tube	133

\* All fittings combination inlet outlet.  
For components description including fittings configurations see « Codification and configuration sketches of a gas flow component ».

ME-214-03/A

**COMPOSANTS POUR LA DISTRIBUTION DE GAZ PURS, ULTRA-PURS ET CORROSIFS**  
**COMPONENTS FOR HIGH PURITY AND CORROSIVE GAS APPLICATIONS**